

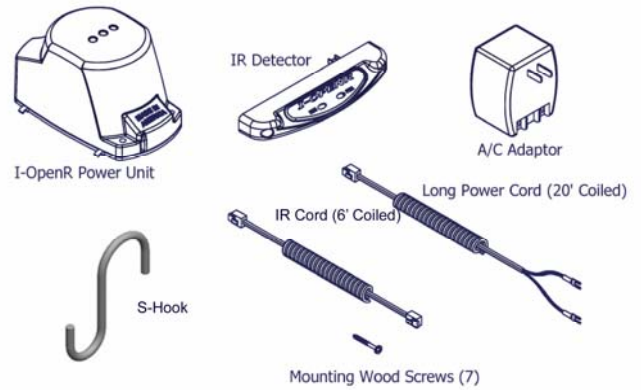
I-OpenRTM By **KZCO**TM inc. **Sanitation thru Automation**SM

The **I-OpenR** is a hands-free automatic waste cart lid opener that can be installed for use with a wide variety of waste carts that are provided for your use by trash haulers. The **I-OpenR** allows for the sanitary disposal of trash through activation of the infrared (IR) detector.

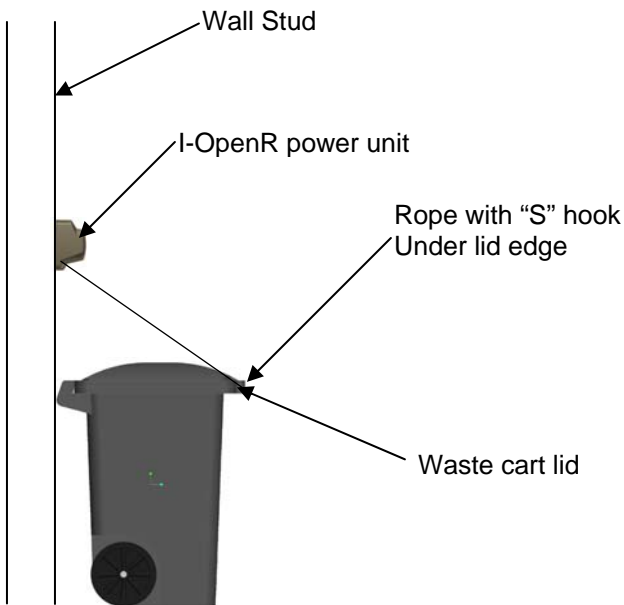
The **I-OpenR** can be used in both the private home as well as commercial settings. The typical installation takes approximately 15 minutes.

The simple, quick release of the S-hook from the lip of the lid will allow for the waste cart to then be taken to the curb for trash pickup.

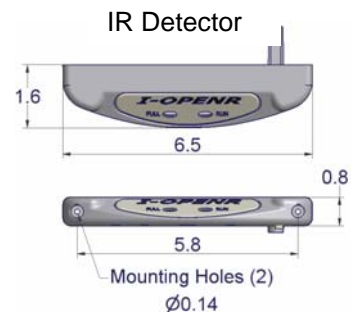
Parts Included - Part #D1A



Typical Installation



Mounting Dimensions



I-OpenR Specifications

Input: AC 120V, 60 Hz, 28 W

Output: AC 15V, 1200 mA

Max weight of door: 5 lbs.

Lift Rope Material: Nylon



SPECIFICATIONS

Part #C1A (swinging flipper doors) AND Part #D1A (garbage waste cart):

Power Unit Volts: 15 vdc, micro-processor controller, 3 mounting screws included

Max current: 1.2 amps, auto fuse: unplug to reset

Lift capacity: 5 lbs.

Closing force: Max weight of the lid (lid/door weight drives motor in reverse)

Lift Rope: Braided Nylon, approximately 323 lb. breaking strength

Max lift or length of rope pull: 24"

Opening time for 24" lift: Approximately 4 seconds (varies with weight of lid/door)

Close time for 24" lift: Approximately 8 seconds (varies with weight of lid/door)

Infra-red sensor, Volts: 5 vdc from power unit, 2' coiled cord with 4 pin mod plug, user adjustable sensitivity up to 8" range, 2 mounting screws included

Enclosures: NEMA 2 rated, glass reinforced Nylon, indoor use

Power Supply: UL approved, 120/15v AC adapter, 10' cord with 6 pin mod plug

Door lift bracket: Glass reinforced Nylon, 2 mounting screws included

Boxed weight (per unit): 3.5 lbs.